

# Sludge storage silo



*Short loading procedure through high discharge capacity (typically 27 t in 25 min.)*

*Level and weight indication with telemetry option*

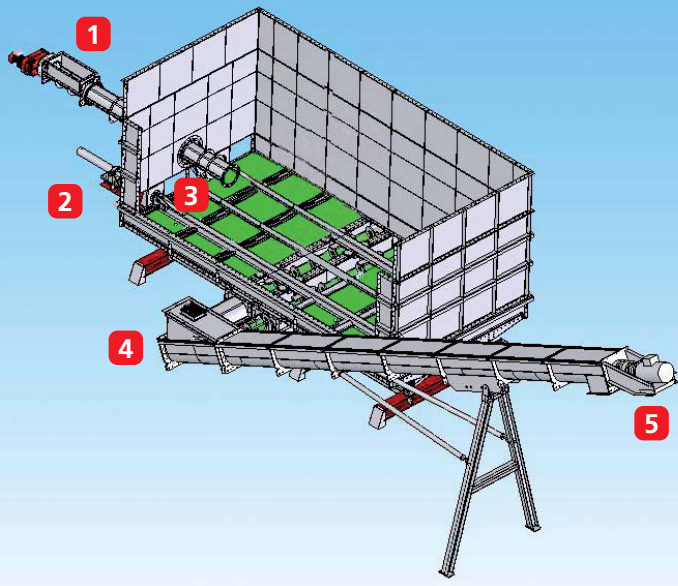
*Automated via local control panel*

*Semi-mobil*

*Fully enclosed, reducing odour potential*

*Robust and reliable design*

  
**HUNING**  
Maschinenbau



- 1 Charge screw
- 2 Hydraulic cylinders/rams
- 3 Push floor on low friction plastic layer
- 4 Outlet screw(s)
- 5 Loading screw

## Setup of dewatering equipment can be flexible



## Optimise Storage and logistics

One sludge silo provides cost effective storage equivalent to 4 rollon-rolloff skips. Increase control and fast turnaround times enable transport managers to optimize their fleet.

